

P2 Flush Pull - Lockable

Low profile · Lift or pull · Single hole mount

Features

- Snap-in installation
- Lockable
- Lock core included or sold separately

Product Performance

- Flammability rating: UL94-HB or UL94-VO

Material

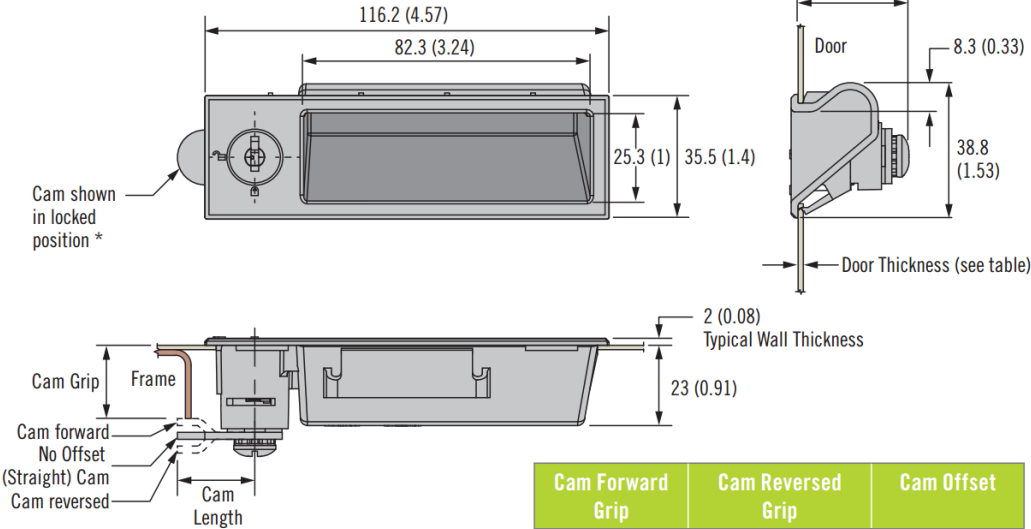
- Pull: ABS plastic, black
- Lock parts: Zinc alloy, powder coated.
Brass. Steel, zinc plated.

Notes

- Cam sold separately
- For pulls without lock core, lock core sold separately

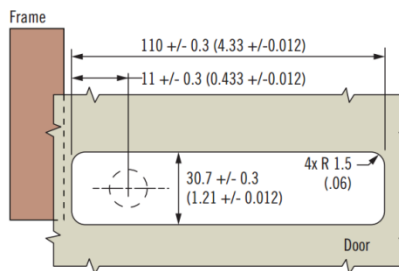
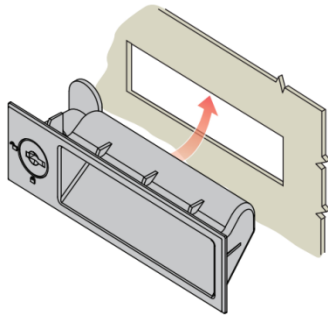


Type B (Counter-Clockwise) Version Shown



* Cam Ordered Separately
Contact Gripwell
for more details

| Cam Forward Grip | Cam Reversed Grip | Cam Offset |
|------------------|-------------------|------------|
| 25 (0.98) | 25 (0.98) | No Offset |
| 21.8 (0.86) | 28.2 (1.11) | 3.2 (1.25) |
| 18.6 (0.73) | 31.4 (1.24) | 6.4 (.250) |
| 15.5 (0.61) | 34.5 (1.36) | 9.5 (.375) |



D Door Thickness Range

- 1.0 (.040) - 1.4 (.055)
- 1.4 (.055) - 1.8 (.070)
- 1.8 (.070) - 2.1 (.085)
- 2.1 (.085) - 2.5 (.100)

M Material

- 1 UL94-VO PC/ABS
- 2 UL94-HB ABS

P2 - 4 **D** **M** - **R** **L**

R Rotation

- 1 Type A (Clockwise to lock)
- 2 Type B (Counter-Clockwise to lock)

L Lock Style

- 2 With lock core, keyed alike CH751 (with two flat keys supplied)
- 9 Without lock core

southco®

We are proud to be Southco's authorized distributor of over 20 years